

ORWAK 5030-N HD

This special version of Orwak 5030 provides you with a safe way of compacting hazardous waste directly into drums.



MORE PRODUCTIVE USE OF TIME

Less time spent on waste handling, more time devoted to your core activities.

VOLUME REDUCTION

More compaction = less waste volume to transport for recycling or disposal. Fewer transports required results in lower transportation costs and reduced CO₂ emissions. Furthermore, one bag instead of ten saves you valuable space on the premises.

MORE SPACE

Our baler rapidly minimizes the space the waste takes up, keeping aisles and passageways free and tidy.



ORWAK 5030-N HD

Safe waste handling

With Orwak 5030-N HD, a robust and reliable compactor, the handling, transportation and disposal of chemical waste becomes safe and simple. It compacts hazardous waste, such as glass and cans/tins with paint, oil and other chemical remains directly into drums.

HIGH COMPACTION RATIO ON THE SPOT

Orwak 5030-N HD is a compact machine with a small footprint, but even though it requires little space, it still offers a high compaction ratio of up to 10:1!

STEEL PALLET

A steel pallet is included for stable placement of the drum inside the compactor. The operator effortlessly handles the heavy duty steel pallets with standard pallet lifter.

ORWAK 5030-N HD IS OPTIMIZED FOR:

+ Hazardous waste



Standard drums can be used for storage and transport of the hazardous waste. By using several drums, sorting is possible.



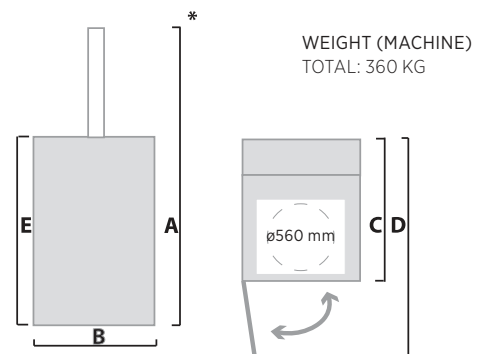
USER FRIENDLY

It is easy to fill in material in the open top-loading unit. The compactor is safe and simple to operate.

DIMENSIONS AND SPECIFICATIONS

Dimensions				
A	B	C	D	E
2165 mm	850 mm	1290 mm	2030 mm	1320 mm

Energy consumption	
STANDBY MODE	MAXIMUM OPERATION ONE HOUR
---	660 W / H



Technical specifications						
LOADING APERTURE	CYCLE TIME	PRESS FORCE	DRUM SIZE	NOISE LEVEL	PROTECTION CLASS	OPERATING POWER
ø560 mm	36 secs	3 ton, 30 kN	Width: ø600 mm Height: 1005 mm	70 db (A)	IP 55	Single phase 230 V, 50 Hz, 10 A



TOMRA Compaction AB
 Box 58, SE-576 22 Sävsjö, Sweden
 Tel: +46 382-157 00
 Fax: +46 382-106 07
 E-mail: info.compaction@tomra.com
www.tomracompaction.com

*We reserve the right to make changes to specifications without prior notice.
 Bale/bag/bin weights are dependent upon material type.*